



Meaningful Innovation.

WEEE Number: 80133970

## INSTRUCTION MANUAL

### LED GARDEN LIGHT



**02** YEAR  
WARRANTY\*

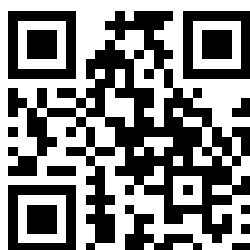
**IP65**  
RATING

### TECHNICAL DATA

MODEL	VT-10121	WIRE LENGTH (Outer Size)	130 ±10mm
SKU	23053	NET WEIGHT	2.9Kg
LUMENS	9800 Lm [@WIDE CONE]	MOUNTING HEIGHT	5-8m
POWER	120W	MAX. PROJECTED AREA	30-40m <sup>2</sup>
INPUT VOLTAGE	AC: 220-240V, 50/60Hz	LIFE SPAN	25,000 Hours
BEAM ANGLE	100°	DIMENSION	380x380x120mm
CRI	≥80		
OPERATION TEMPERATURE	-20° C to +40° C		

### INTRODUCTION

Thank you for selecting and buying V-TAC product. V-TAC will serve you the best. Please read these instructions carefully before starting the installation and keep this manual handy for future reference. If you have any other query, please contact our dealer or local vendor from whom you have purchased the product. They are trained and ready to serve you at the best. The warranty is valid for 2 years from the date of purchase. The warranty does not apply to damage caused by incorrect installation or abnormal wear and tear. The company gives no warranty against damage to any surface due to incorrect removal and installation of the product. The products are suitable for 10-12 Hours Daily operation. Usage of product for 24 Hours a day would void the warranty. This product is warranted for manufacturing defects only.



### MULTI-LANGUAGE MANUAL QR CODE

Please scan the QR code to access the manual in multiple languages.

In case of any query/issue with the product, please reach out to us at: [support@v-tac.eu](mailto:support@v-tac.eu)  
For More products range, inquiry please contact our distributor or nearest dealers.  
V-TAC EUROPE LTD. Bulgaria, Plovdiv 4000, bul.L.Karavelow 9B



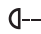


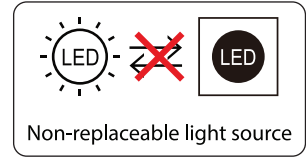
This marking indicates that this product should not be disposed of with other household wastes.



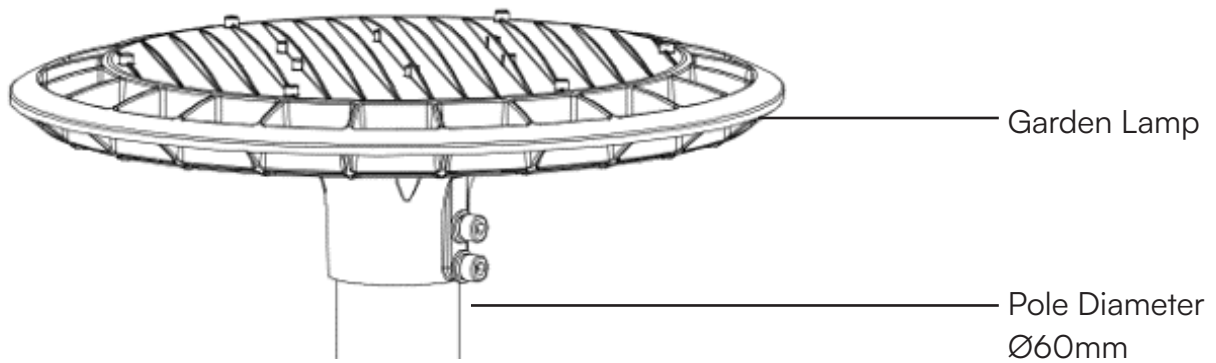
Caution, risk of electric shock.

## WARNING

- Please make sure to turn off the power before starting the installation.
- Installation must be performed by a qualified electrician.
- The light source of this luminaire is not replaceable, when the light source reaches its end of life the whole luminaire should be replaced.
- Proper grounding should be ensured throughout the installation.
- Replace any cracked protective shield.  
- Minimum distance from lighted objects 1m. 

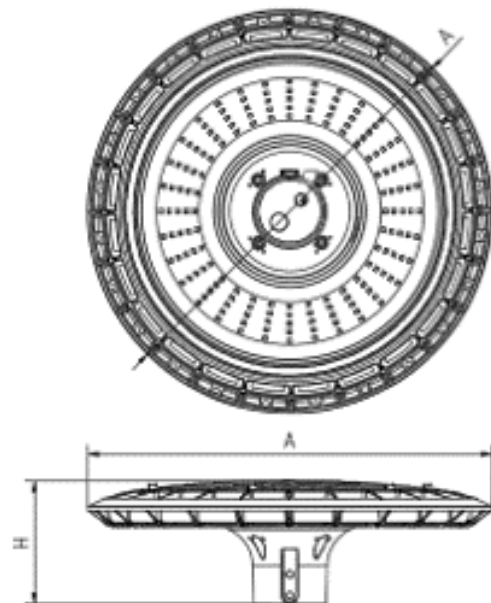


## PARTS DIAGRAM

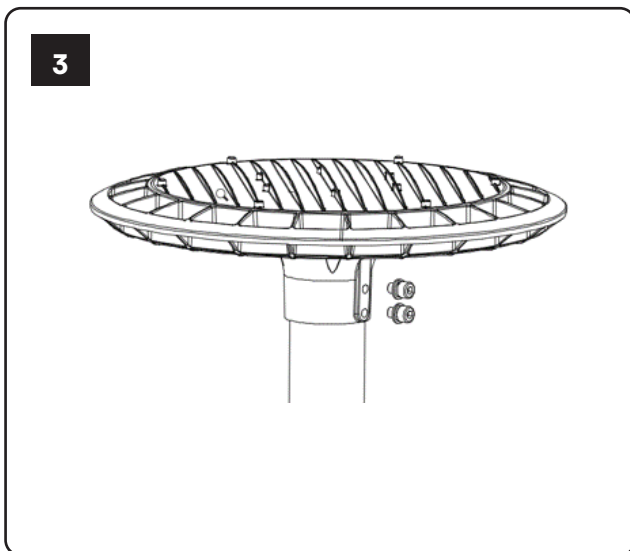
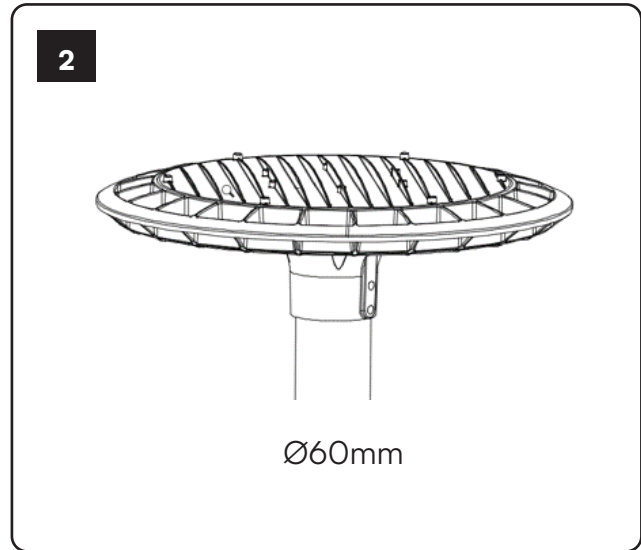
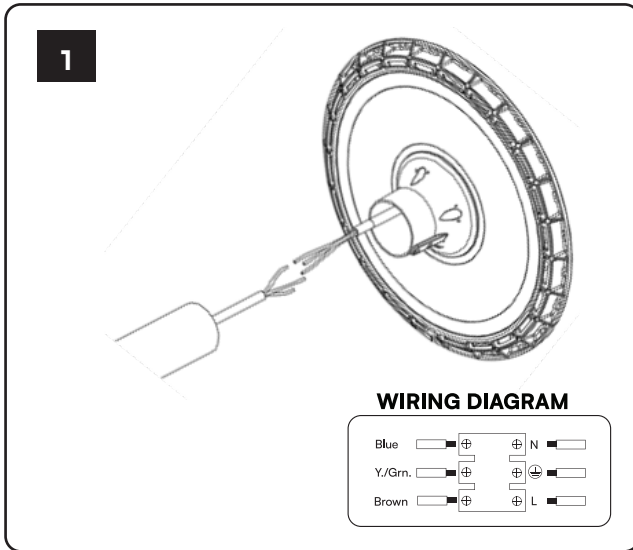


## DIMENSIONS

MODEL	VT-10121
A(mm)	Ø380
H(mm)	120
N.W(Kg)	2.9



## INSTALLATION DIAGRAM



## INSTALLATION INSTRUCTION

1. Connect to 220-240V AC power grid, brown wire to wire, the blue line to zero, yellow green line to grounding wire.
2. Set the lamp on a lamp pole with a diameter of Ø60mm.
3. Use M8 screws to fix the lamp on the pole and lock it tight.
4. Turn on the lamp


## INSTALLATION CONDITIONS

1. In a stent or analogues.
2. In the mast (column) on the cantilever.
3. The input and the output connection mode must need IP65 waterproof connector to connect (suitable for line 0.75MM square - 1.5MM square) .
4. This series of street lamp belongs to outdoor lamps and lanterns, install indoor environment is only suitable for the air circulation, temperature range, no more than -20° to 40° C

---

## NOTE:

1. before installation, check the appearance of lamps and lanterns, guarantee without damage, the shape phenomenon.
2. In the process of installation, maintenance, please pay attention to protecting the surface of lamps and lanterns, to ensure that all fittings fixation. Connected to the light pole lamp body, use screw locking, pay attention to the screw torque is less than 10.5 N.m
3. In the process of maintenance, installation to ensure that the parts are intact. If there is any damage, defect should be another renewals.
4. The power cord, the lamps and lanterns use for double insulated wire, such as wire breakage, please the professional qualification of the personnel to replace, so as not to send To danger;
5. When used, lamps and lanterns surface has a certain temperature, is a normal phenomenon.
6. Pay attention to the correctness of the power line connection, please don't wrong . The power cord color corresponding relationship is as follows

BROWN	BLUE	YELLOW GREEN
The phase line L	The zero line N	Ground wire 

RoHS



UK  
CA